



California Faucets®

# Showerhead

2-13/16" 6 JETS

## Features

- 1/2" FIP inlet
- Brass construction
- 2-13/16" diameter
- Replace .FR with desired max flow rate:
  - SH-04.25 for 2.5 gpm
  - SH-04.20 for 2.0 gpm
  - SH-04.18 for 1.8 gpm
  - SH-04.15 for 1.5 gpm

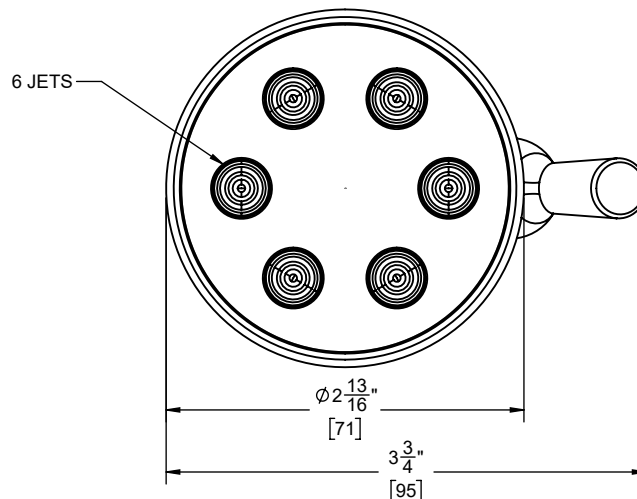
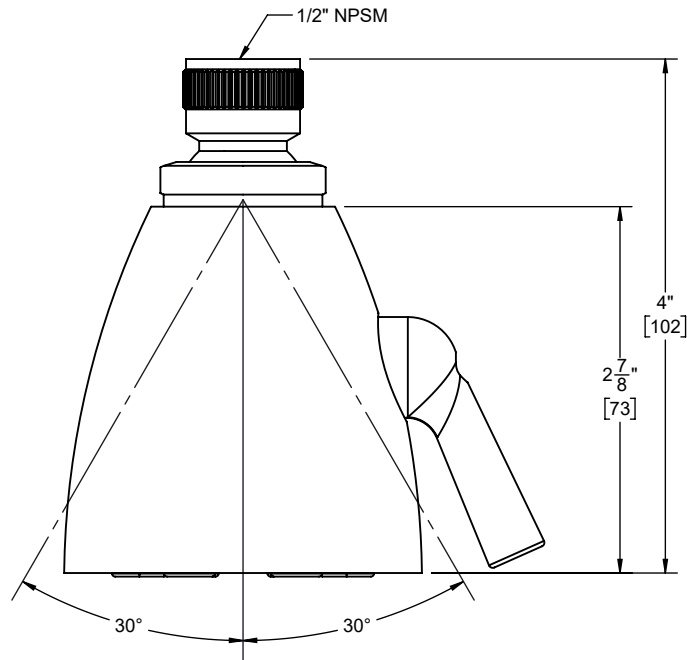
## Codes/Standards

Product meets or exceeds the following:

- ASME A112.18.1/CSA B125.1
- CEC (1.8 & 1.5 gpm)
- DOE (2.5, 2.0, 1.8, & 1.5 gpm)
- Commonwealth of MA
- EPA WaterSense (2.0 & 1.5 gpm)



SH-04.25  
 SH-04.20  
 SH-04.18  
 SH-04.15



SPECIFICATIONS SUBJECT TO CHANGE WITHOUT NOTICE

DIMENSIONS SHOWN TO NEAREST 1/16"  
[DIMENSIONS SHOWN TO NEAREST 1MM]